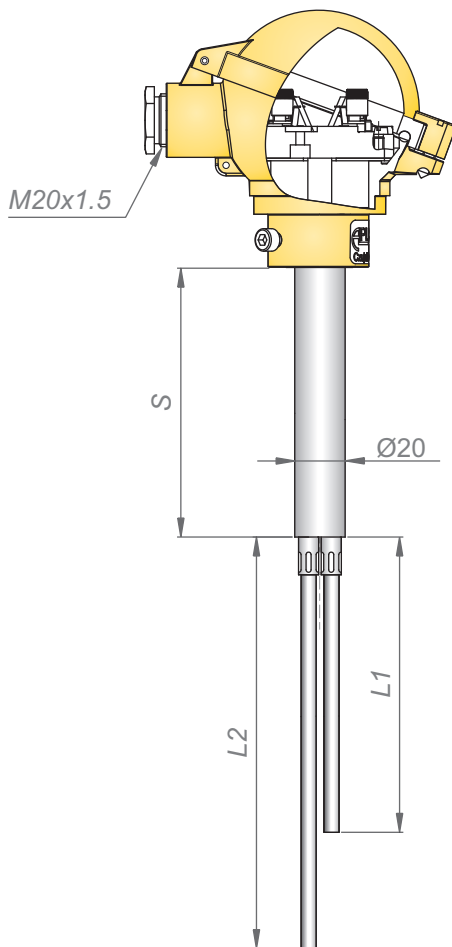


Temperature sensor type CT F



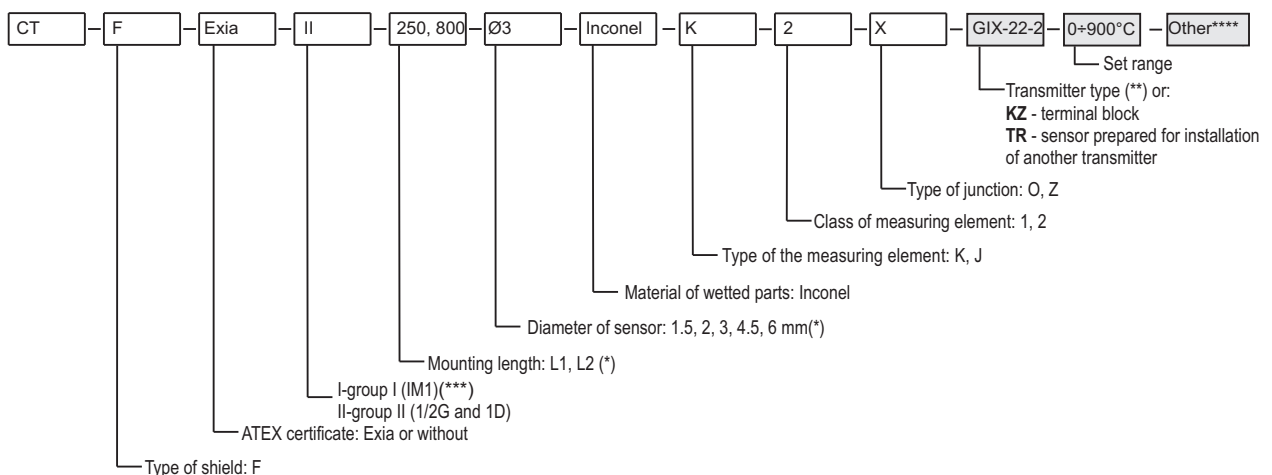
TECHNICAL DATA:

1. Measuring range
J: -40...750°C
K: -40...1000°C
2. Material of wetted parts:
holding element: heat resisting steel 1.4841(*)
measuring element: INCONEL
3. Standard immersion length:
L1, L2 - according to specification (**)
4. Assembly length for handle
S=100 mm or according to specification
5. Diameters of measuring elements:
Ø: 1.5, 2, 3, 4.5, 6 mm

Ex I M1 Ex ia I Ma

Ex II 1/2 G Ex ia IIC T6..T1 Ga/Gb
II 1D Ex iaD 20 T75°C Da

Ordering procedure with example of ordering code:



ADDITIONAL INFORMATION

- 1.(*) Non-standard version of temperature sensors on request.
- 2.(**) Type of temp. transmitters: LI-24G, GI-22-2, GIX-22-2 or other.
- 3.(***) Temperature sensor for group I is produced with stainless steel housing.
- 4.(****) Additional required parameters acc. to transmitter data sheet