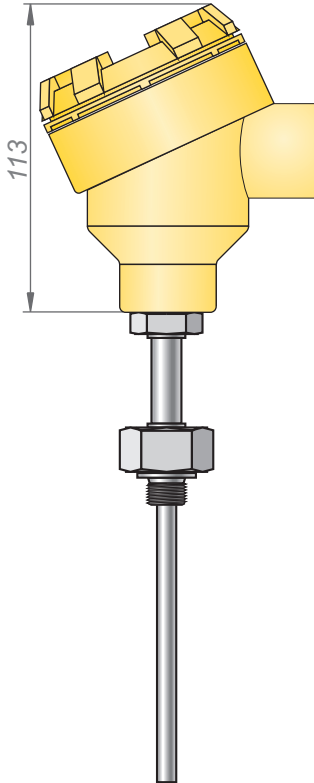


Temperature sensor type CT AL Temperature transmitter type APT AL with Explosion Proof certificate

now available with
BV marine certificate



TECHNICAL DATA:

1. Measuring range:
Pt: -196...550°C
J/K: -200...550°C
2. Material of wetted parts:
304ss or 316Lss (other materials on request)
3. Process connection:
M20x1.5, G1/2", 1/2"NPT, flanges according to DIN or ANSI
(other process connection on request)
4. Diameter of measuring insert:
Ø 6mm, Ø 8mm
5. Minimal immersion depth:
90mm
6. Electrical entry:
Thread M20x1,5 or 1/2"NPT
6. Certificate ATEX:

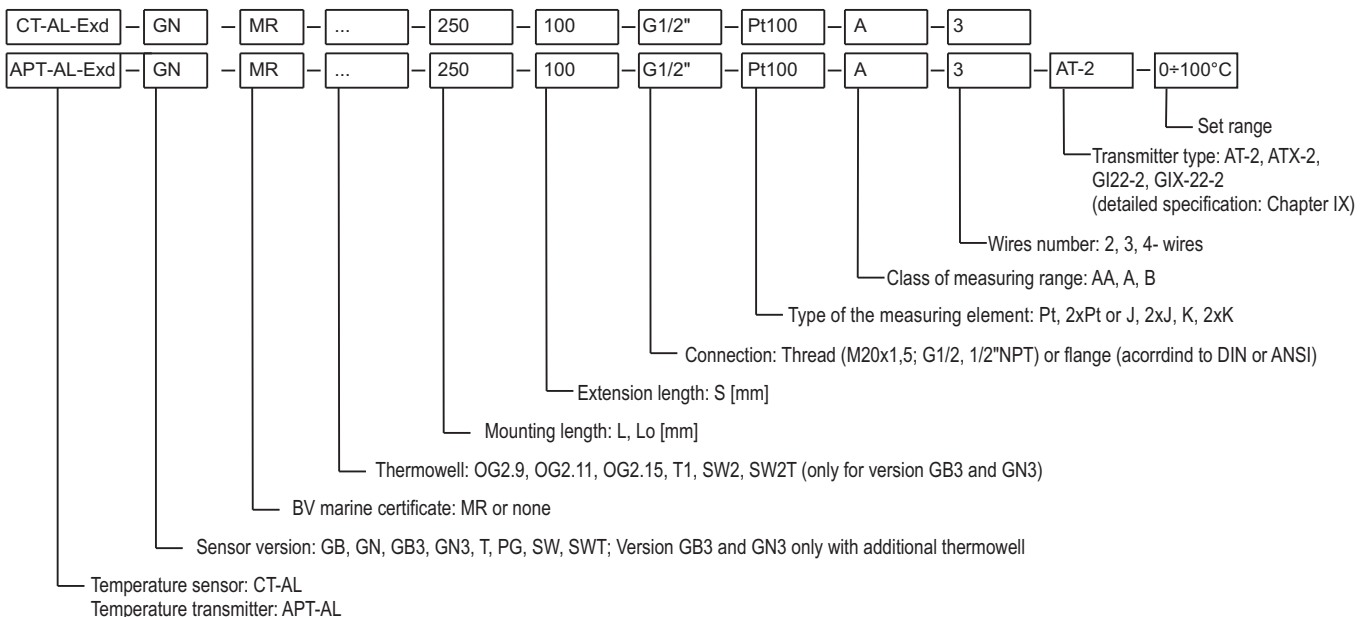
Location of complete equipment in zone 1 or 21

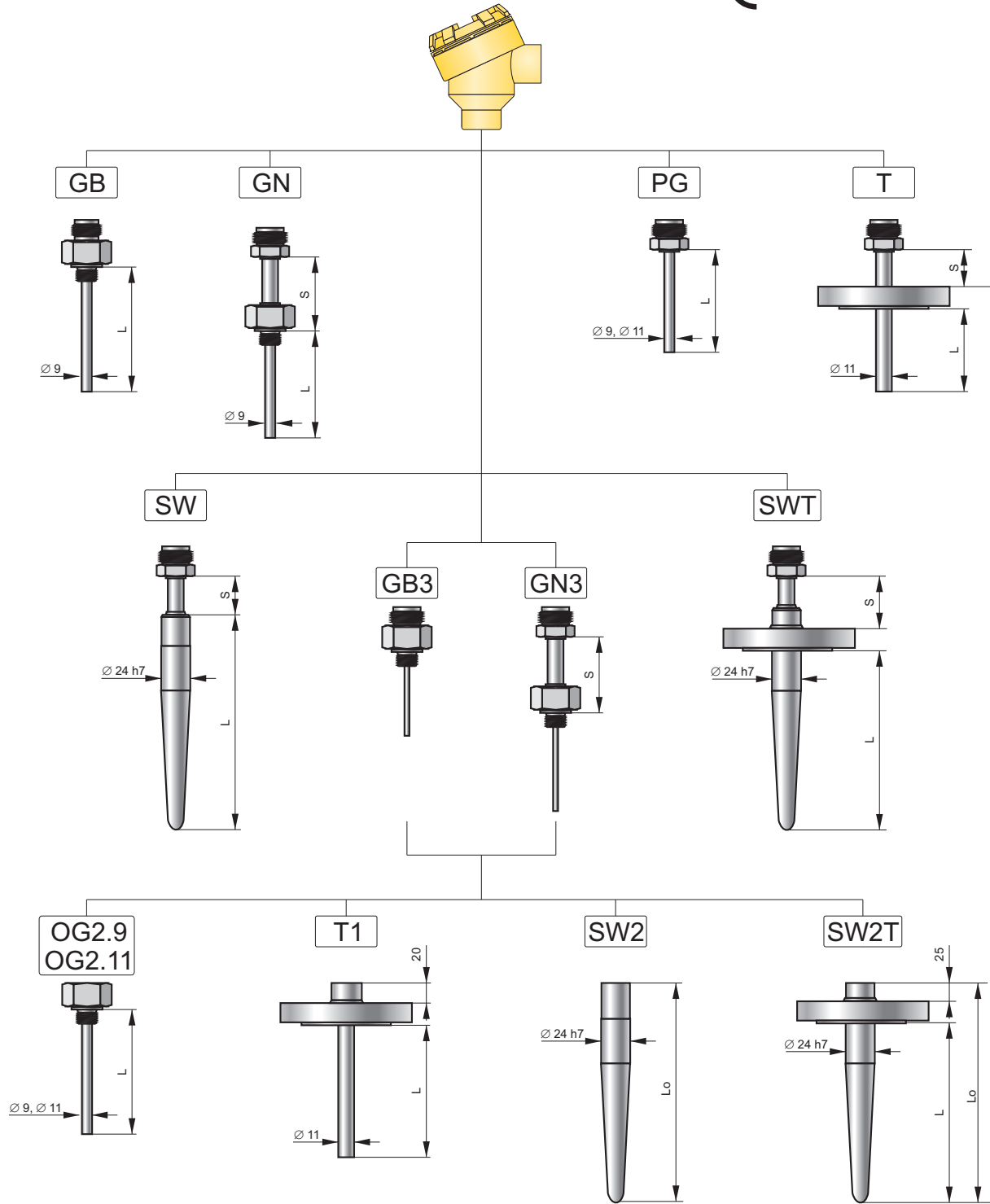
Ex II 2G Ex d IIB+H₂T** Gb
II 2D Ex tb IIIC T* Db

Measuring stem with screwed to the opening D2 of housing thermowell, with proper wall thickness (zone 0 or 20):
a) minimum 1,5mm, made of corrosion resistant steel or
b) minimum 1mm and ficed in protective thermowell (wall thickness minimum 1mm) made of corrsion resistant steel

Ex II 1/2G Ex d IIB+H₂T** Ga/Gb
II 1/2D Ex tb IIIC T* Da/Db

Ordering procedure with example of ordering code





Type	D [mm]	L, Lo [mm]	Material	Available process connection
PG	$\varnothing 9, \varnothing 12, \varnothing 11$	as required	1.4301 (304)	–
GB	$\varnothing 9$	100, 160, 250, 400	1.4301 (304)	M20x1.5, G1/2"
GN	$\varnothing 9, \varnothing 12$	100, 160, 250, 400	1.4301 (304)	M20x1.5, G1/2"
SW	$\varnothing 24\text{ h7}$	100, 140, 200	1.7335 (15HM), 1.7380 (10H2M), 1.4404 (316L)	–
SW2	$\varnothing 24\text{ h7}$	140, 200	1.7335 (15HM), 1.7380 (10H2M), 1.4404 (316L)	–
SWT; SW2T	$\varnothing 24\text{ h7}$	100, 140, 200 140, 200	1.7335 (15HM), 1.7380 (10H2M), 1.4404 (316L)	Flange according to DIN and ANSI
OG2.9	$\varnothing 9$	as required	1.4404 (316L)	G1/2", G3/4", G1" 1/2"NPT, 3/4"NPT M18x1.5, M20x1.5 M24x1.5, M27x2
OG2.11	$\varnothing 11$			
OG2.15	$\varnothing 15$			
T	$\varnothing 11$	as required	1.7335 (15HM), 1.7380 (10H2M), 1.4404 (316L)	Flange according to DIN and ANSI"
T1	$\varnothing 9, \varnothing 11$			