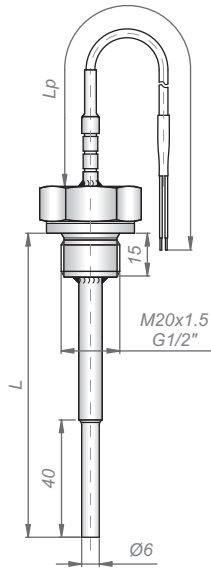
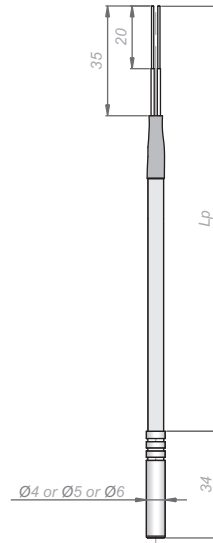


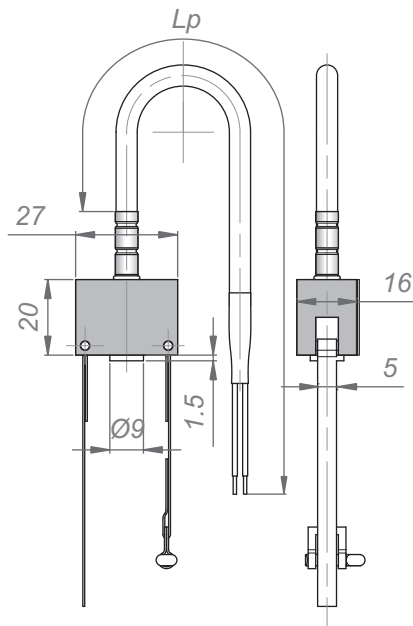
# Cable temperature sensors type CT GE1, CT E1, CT R6, CT E2



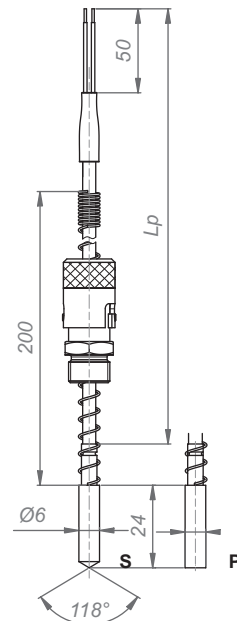
**CT GE1**



**CT E1**

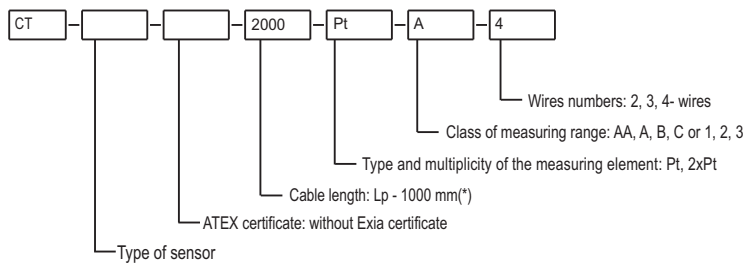



**CT R5**



**CT E2**

## Ordering procedure:



Certificate ATEX:  I M1 Ex ia I  
 II 1/2 G Ex ia IIC T6  
 II 1D Ex iaD 20 T75°C

## ADDITIONAL INFORMATION:

1.(\*) Non-standard length of temperature sensors on demand.